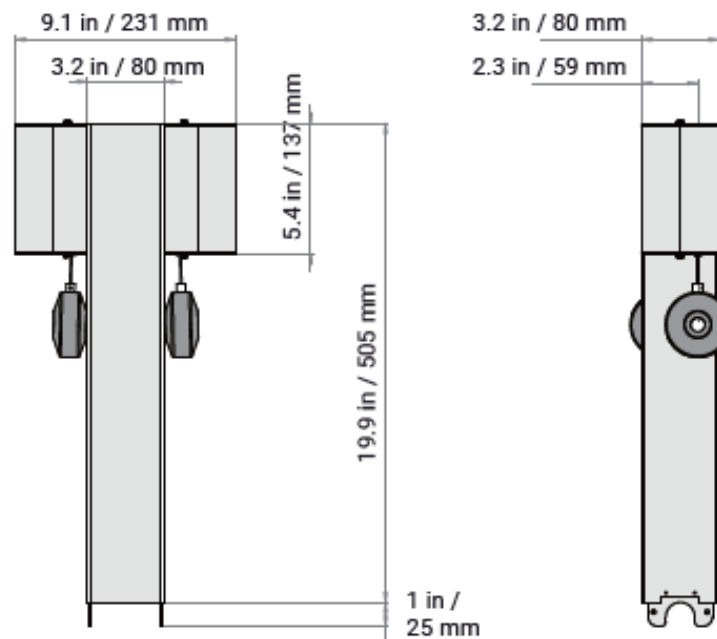


# C500

Cable management

Version 1.01



## SPECIFICATIONS

<b>Features</b>	Dual arm cable retractor
<b>Materials</b>	Stainless Steel (Body) Plastic (Reel)
<b>Color</b>	Metallic
<b>Dimensions</b>	9.1 (W) x 20.9 (H) x 3.2 (D) in 231 (W) x 530 (H) x 80 (D) mm
<b>Weight</b>	8.6 lbs / 3.9 kg

